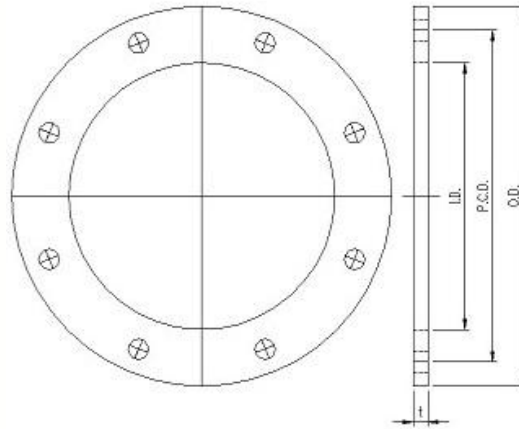


## (FFF) Full Face Flange Stub L/S Pe100 Sdr11

Code	Pipe Size (d)	Drilling Inch's	PCD (k)	(t)	SDR	Drill Pattern	No Holes (n)	Hole Dia (d2)	A	B	C	Price \$ ex gst
FFF09034D	90MM	3" & 4"	146 / 178	20	Sdr11	T/D	4 & 4	18	220	140	100	\$48.00
FFF0903D	90MM	3"	146	20	Sdr11	T/D	4	18	180	112	104	\$49.13
FFF1104D	110MM	4"	178	20	Sdr11	T/D	4	18	215	134	178	\$81.00
FFF1254D	125MM	4"	178	20	Sdr11	T/D	4	18	215	134	132	\$72.80
FFF1606D	160MM	6"	235	25	Sdr11	T/D	8	18	280	183	160	\$127.29
FFF1806D	180MM	6"	235	25	Sdr11	T/D	8	18	280	183	180	\$104.00
FFF2006D	200MM	6"	235	30	Sdr11	T/D	8	18	280	200	200	\$88.40
FFF2508D	250MM	8"	292	35	Sdr11	T/D	8	18	335	197	250	\$165.50
FFF2509D	250MM	9"	324	35	Sdr11	T/D	8	18	370	215	288	\$281.25
FFF2809D	280MM	9"	324	35	Sdr11	T/D	8	18	370	215	292	\$181.91
FFF28010D	280MM	10"	356	40	Sdr11	T/D	8	22	405	230	315	\$282.15
FFF31510D	315MM	10"	356	40	Sdr11	T/D	8	22	405	230	315	\$267.50
FFF35512D	355MM	12"	406	45	Sdr11	T/D	12	22	455	241	357	\$347.51
FFF40015D	400MM	15"	495	50	Sdr11	T/D	12	26	557	261	402	\$582.50
FFF45015D	450MM	15"	495	55	Sdr11	T/D	12	26	580	285	450	\$655.01
FFF45016D	450MM	16"	521	55	Sdr11	T/D	12	26	580	285	450	\$720.56
FFF50018D	500MM	18"	584	60	Sdr11	T/D	12	26	640	320	504	\$1,034.63
FFF56020D	560MM	20"	641	65	Sdr11	T/D	16	26	735	332	560	\$1,111.02
FFF63022D	630MM	22"	699	70	Sdr11	T/D	16	30	760	337	640	\$1,266.75
FFF63024D	630MM	24"	756	80	Sdr11	T/D	16	30	815	337	643	\$1,722.00

Full Face Flanges are Manufactured to Australian Standards us AS4131 (POP004) Approved Polymer.



## (FFF) S/Steel Backing Rings T/D 4087

Code	Pipe Size	Drilling Inch's	PCD	Thickness	Od	Id	No Holes	Hole Dia	Price \$ ex gst
309034DS	90MM	3" & 4"	146/178	10	220	101	4 & 4	18	\$45.75
3090ES	90MM	3"	146	11	185	108	4	18	\$30.65
3110DS	110MM	4"	178	13	215	128	4	18	\$48.62
31254DS	125MM	4"	178	13	215	135	4	18	\$45.50
3160DS	160MM	6"	235	13	280	178	8	18	\$75.15
3180DS	180MM	6"	235	13	280	188	8	18	\$64.20
32006DS	200MM	6"	235	13	280	202	8	18	\$58.97
32508DS	250MM	8"	292	19	335	256	8	18	\$113.84
32509DS	250MM	9"	324	19	370	288	8	18	\$158.24
32809DS	280MM	9"	324	19	370	288	8	18	\$158.24
3280DS	280MM	10"	356	19	405	300	8	22	\$181.61
331510DS	315MM	10"	356	19	405	318	8	22	\$147.47
335512DS	355MM	12"	406	23	455	361	12	22	\$221.51
340015DS	400MM	15"	495	30	525	406	12	26	\$543.74
345015DS	450MM	15"	495	30	580	486	12	26	\$483.02
345016DS	450MM	16"	521	30	640	480	12	26	\$672.41
350018DS	500MM	18"	584	30	640	508	12	26	\$940.77
356020DS	560MM	20"	641	38	705	568	16	26	\$1,067.42
363022DS	630MM	22"	699	44	760	640	16	30	\$1,066.77
363024DS	630MM	24"	756	48	825	645	16	30	\$1,450.00

*Backing Flanges are Custom Manufactured to suit Full Face Flanges to Australian Standards AS4087 (POP007).*